

# GPS Power Splitter 2/4/8 Way

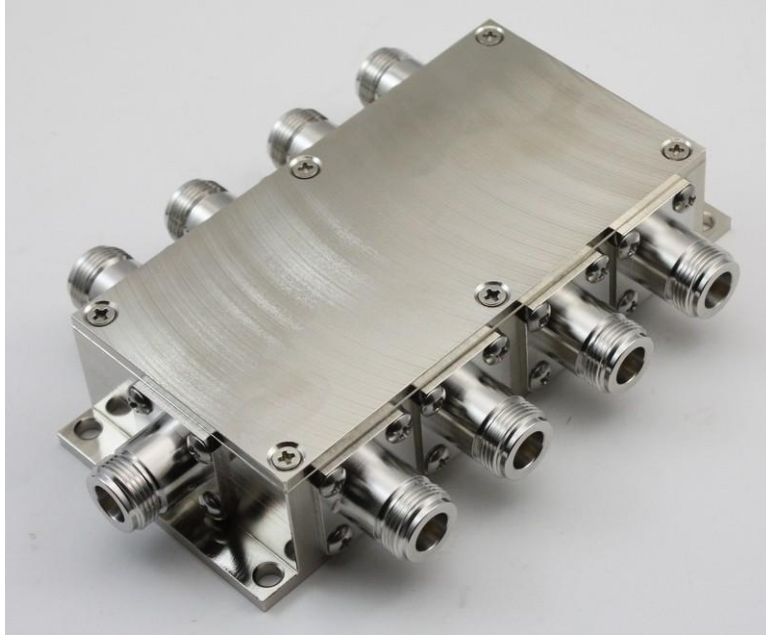


**JIETONG DIGITAL**  
*GET CONNECTED*

Telecommunication Technology & Engineering Accessories

Rev.V1.0

## GPS Power Splitter



**Model: JTD-SP-GPS-0-2NX**

**Model: JTD-SP-GPS-0-4NX**

**Model: JTD-SP-GPS-0-8NX**

**Design For Wireless Infrastructure Applications**

**Gain 0dB, 21dB And Passive Version Available**

**Response For**

**GPS:L1,L2,L2C,L5;**

**Glonass:G1,G2;**

**Galileo:L1,E1,E2,E5(E5a,E5b),E6;**

**Beidou2:B1,B2,B3;**

**IRNSS:L1,L5;**

**Omni Star**

**High Isolations > 30dB**

# 2 WAY GPS POWER SPLITTER (N TYPE)



**JIETONG DIGITAL**  
GET CONNECTED

Telecommunication Technology & Engineering Accessories

Rev.V1.0

## Description:

The 2 way (JTD-SP-GPS-0-2NX) GPS Splitter is a one - input, two - output GPS device. This product typically finds application where an input from an active GPS roof antenna is split evenly between two receiving GPS units. In this scenario, the 2 way GPS Splitter can be configured to pass DC from an RF output (J1) to the antenna input port in order to power an active GPS antenna on that port. The second RF output (J2) would feature a 200 Ohm DC load to simulate an antenna DC current draw for any receiver connected to those ports.

## Specifications:

Electrical Specifications, Operating Temperature -40to 85°C

Parameter	Conditions	Min	Typ	Max	Units
Freq. Range	Ant – Any Port	1.1		1.7	GHz
In &Out Imped.	In, all output ports		50		Ω
Gain -0dB -Amplified(Normal)	In- Output ports, ,Unused Ports -50Ω	-1	0	1	dB
		23	24	25	
Loss, Passive	In- Output ports, ,Unused Ports -50Ω	4	4.5	5.0	dB
Input SWR				2:1	-
Output SWR				2:1	-
Nois Figure- Amplified				1.8	dB
Gain Flatness -Amplified: -Passive:				2	dB
				1	dB
Amp. Balance				0.5	dB
Phase Balance				1.0	deg
Group Delay Flatness				1	ns
Isolation -Amplified/Passive -Gain:0dB	Adjacent Ports: In 50Ω	15			dB
	Opposite Ports: In – 50Ω	21			
	Adjacent Ports: In 50Ω	30			
	Opposite Ports: In 50Ω	40			
AC IN	Wall Mount transformer		220		VAC
DC IN	DC Block, All ports with a 200Ω Load			14	VDC
	PASS DC, Amplified	3		16	
	PASS DC, Passive			16	
	Powered, to be specified				
Device Current				16	
Current	Pass DC, No Powered configuration, DC input on J1			250	mA
	Powered, to be specified				mA
Max RF Input -Amplified -Passive	Max RF input without damage			0	dBm
				30	



# 2 WAY GPS POWER SPLITTER (N TYPE)



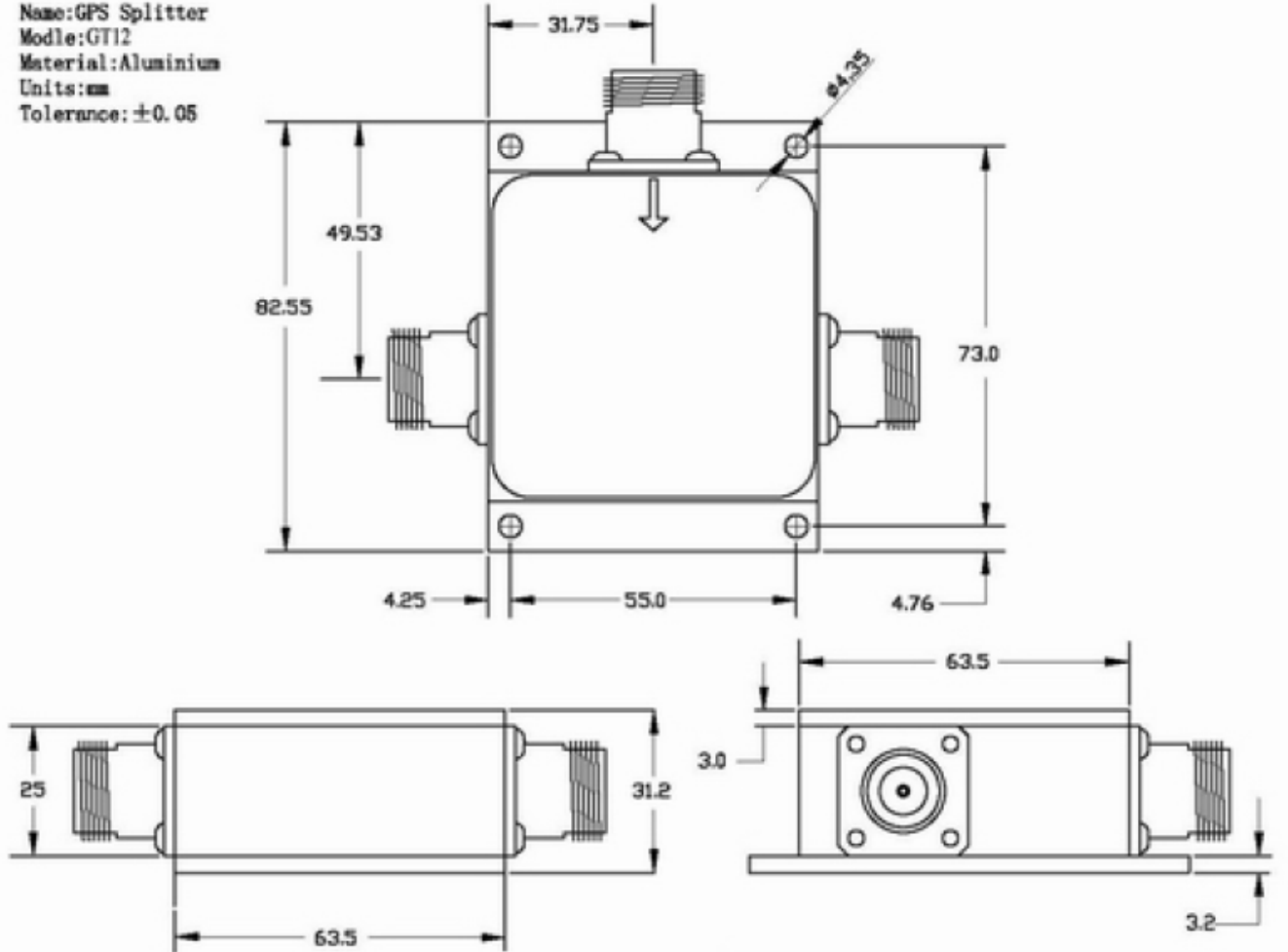
**JIETONG DIGITAL**  
GET CONNECTED

Telecommunication Technology & Engineering Accessories

Rev.V1.0

## Mechanical:

- ◇ Name:GPS Splitter
- ◇ Modle:GT12
- ◇ Material:Aluminium
- ◇ Units:mm
- ◇ Tolerance:±0.05



## Frequency reference table:

Global/Compass Navigation Satellite Systems(GNSS/CNSS)	5					2				6/3		6		1																
Frequency (MHz)	1164	1176	1188	1192	1207	1215	1219	1227	1239	1245	1252	1259	1266	1268	1278	1290	1535	1540	1545	1550	1558	1561	1563	1575	1587	1592	1602	1609	1616	2491
GPS(USA) L1,L2,L2C,L5	L5+/-12					L2/L2C+/-12										L6+/-5						L1+/-12								
Glionass(Russia) G1,G2											G2+/-7																	G1+/-7		
Galileo(European) L1,E1,E2,E5(E5a,E5b),E6	E5+/-15										E6+/-12					L6+/-5						E2	L1+/-17				E1			
Compass (Beidou 2,China)				B2+/-10							B3+/-10										B1+/-2									
Beidou 1 (China,Tx(LHCP)/Rx(RHCP))																													L	S
IRNSS (India)		L5+/-15																						L1+/-12						S+/-15
OmniStar																O+/-14-->														



# 4 WAY GPS POWER SPLITTER (N TYPE)



**JIETONG DIGITAL**  
GET CONNECTED

Telecommunication Technology & Engineering Accessories

Rev.V1.0

## Description:

The 4 way (JTD-SP-GPS-0-4NX) GPS Splitter is a one - input, four - output GPS device. This product typically finds application where an input from an active GPS roof antenna is split evenly between four receiving GPS units. In this scenario, the 4 way GPS Splitter can be configured to pass DC from an RF output (J1) to the antenna input port in order to power an active GPS antenna on that port. The second, third and fourth RF outputs (J2,J3, & J4) would feature a 200 Ohm DC load to simulate an antenna DC current draw for any receiver connected to those ports.

## Specifications:

Electrical Specifications, Operating Temperature - 40to 85°C

Parameter	Conditions	Min	Typ	Max	Units
Freq. Range	Ant – Any Port	1		2	GHz
In &Out Imped.	In, all output ports		50		$\Omega$
Gain -0dB -Amplified(Normal)	In- Output ports, ,Unused Ports -50 $\Omega$	-1 20	0 21	1 22	dB
Loss, Passive	In- Output ports, ,Unused Ports -50 $\Omega$	6.5	7.5	8.5	dB
Input SWR				2:1	-
Output SWR				2:1	-
Nois Figure- Amplified				3	dB
Gain Flatness -Amplified: -Passive:				2 1	dB dB
Amp. Balance				0.5	dB
Phase Balance				1.0	deg
Group Delay Flatness				1	ns
Isolation -Amplified/Passive -Gain:0dB	Adjacent Ports: In 50 $\Omega$	13			dB
	Opposite Ports: In – 50 $\Omega$	21			
	Adjacent Ports: In 50 $\Omega$	30			
	Opposite Ports: In 50 $\Omega$	40			
AC IN	Wall Mount transformer		220		VAC
DC IN	DC Block, All ports with a 200 $\Omega$ Load			14	VDC
	PASS DC, Amplified	3		16	
	PASS DC, Passive			16	
	Powered, to be specified				
Device Current					
Current	Pass DC, No Powered configuration, DC input on J1			250	mA
	Powered, to be specified				mA
Max RF Input -Amplified -Passive	Max RF input without damage			0	dBm
				30	



# 4 WAY GPS POWER SPLITTER (N TYPE)



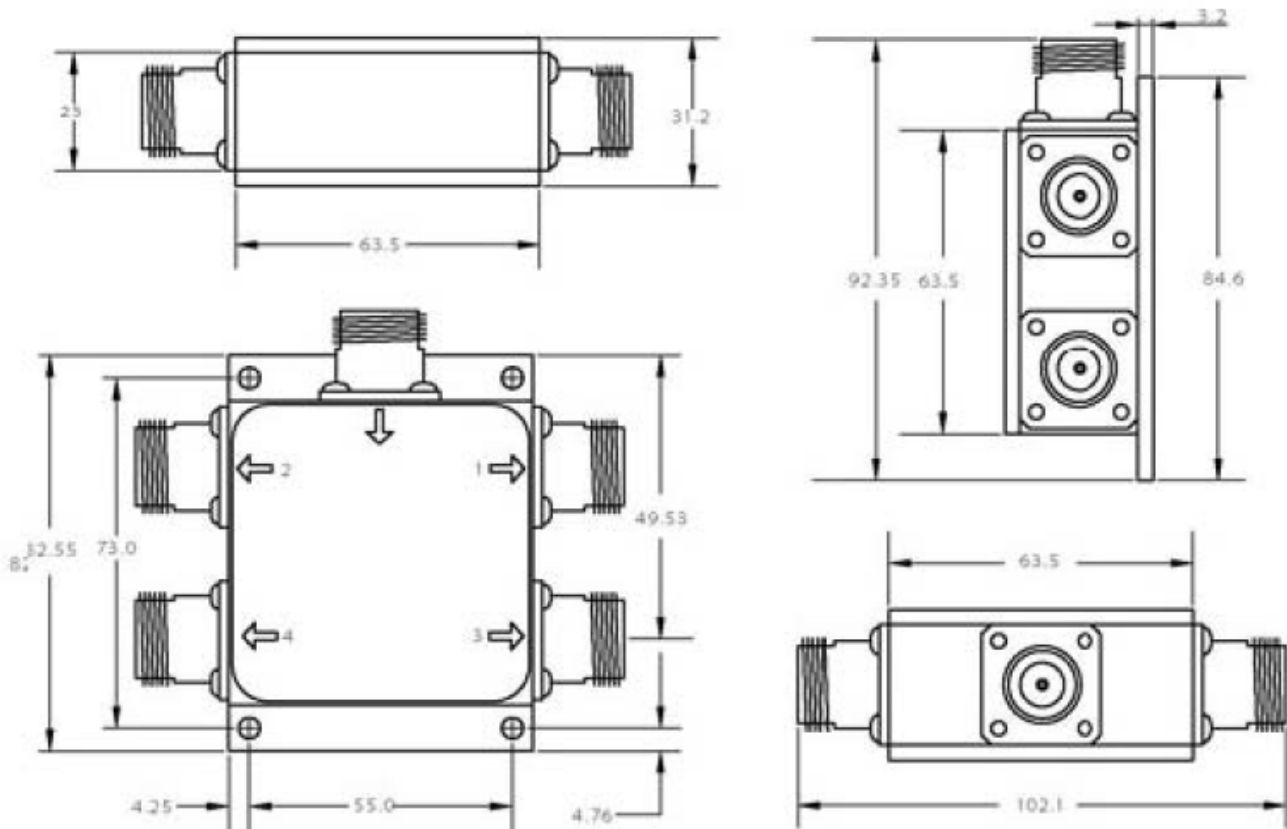
**JIETONG DIGITAL**  
GET CONNECTED

Telecommunication Technology & Engineering Accessories

Rev.V1.0

## Mechanical:

- ◇ Name:GPS Splitter
- ◇ Modle:GT14
- ◇ Material:Aluminium
- ◇ Units:mm
- ◇ Tolerance:±0.05



## Frequency reference table:

Global/Compass Navigation Satellite Systems (GNSS/CNSS)	5					2				6/3			6			1																
Frequency (MHz)	1164	1176	1188	1192	1207	1215	1246	1227	1230	1245	1252	1250	1266	1268	1278	1290	1535	1540	1545	1550	1558	1558	1561	1563	1575	1587	1592	1602	1609	1616	2491	
GPS (USA) L1,L2,L2C,L5	L5+/-12					L2/L2C+/-12							L6+/-5									L1+/-12										
Compass (Russia) G1,G2											G2+/-7																		G+/-7			
Galileo (European) L1,E1,E2,E5 (E5a,E5b),E6	E5+/-15		E5a+/-12		E5b+/-12							E6+/-12									E2		L1+/-17		E1							
Compass (Beidou 2,China)			B2+/-10									B3+/-10									B1+/-2											
Beidou 1 (China,Tx(LHCP)/Rx(RHCP))																														L	S	
IRNSS (India)		L5+/-15																				L1+/-12								S+/-15		
OriStar															O+/-14 ->																	



# 8 WAY GPS POWER SPLITTER (N TYPE)



**JIETONG DIGITAL**  
GET CONNECTED

Telecommunication Technology & Engineering Accessories

Rev.V1.0

## Description:

The 8 way (JTD-SP-GPS-0-8NX) GPS Splitter is a one - input, eight - output GPS device. This product typically finds application where an input from an active GPS roof antenna is split evenly between eight receiving GPS units. In this scenario, the 8 way GPS Splitter can be configured to pass DC from an RF output (J1) to the antenna input port in order to power an active GPS antenna on that port. The others outputs would feature a 200 Ohm DC load to simulate an antenna DC current draw for any receiver connected to those ports.

## Specifications:

Electrical Specifications, Operating Temperature - 40to 85°C

Parameter	Conditions	Min	Typ	Max	Units
Freq. Range	Ant – Any Port	1.1		1.7	GHz
In &Out Imped.	In, all output ports		50		$\Omega$
Gain -0dB -Amplified(Normal)	In- Output ports, ,Unused Ports -50 $\Omega$	-1	0	1	dB
		9	10	11	
Input SWR				2:1	-
Output SWR				2:1	-
Nois Figure- Amplified				2.2	dB
Gain Flatness -Amplified: -Passive:				3	dB
Amp. Balance				0.5	dB
Phase Balance				1.0	deg
Group Delay Flatness				1	ns
Isolation -Amplified/Passive -Gain:0dB	Adjacent Ports: In 50 $\Omega$	28			dB
	Opposite Ports: In – 50 $\Omega$	34			
	Adjacent Ports: In 50 $\Omega$	28			
	Opposite Ports: In 50 $\Omega$	34			
AC IN	Wall Mount transformer		230		VAC
DC IN	DC Block, All ports with a 200 $\Omega$ Load			14	VDC
	PASS DC, Amplified	3		16	
	PASS DC, Passive			16	
	Powered, to be specified				
Device Current				16	
Current	Pass DC, No Powered configuration, DC input on J1			250	mA
	Powered, to be specified				mA
Max RF Input -Amplified -Passive	Max RF input without damage			0	dBm
				0	



# 8 WAY GPS POWER SPLITTER (N TYPE)



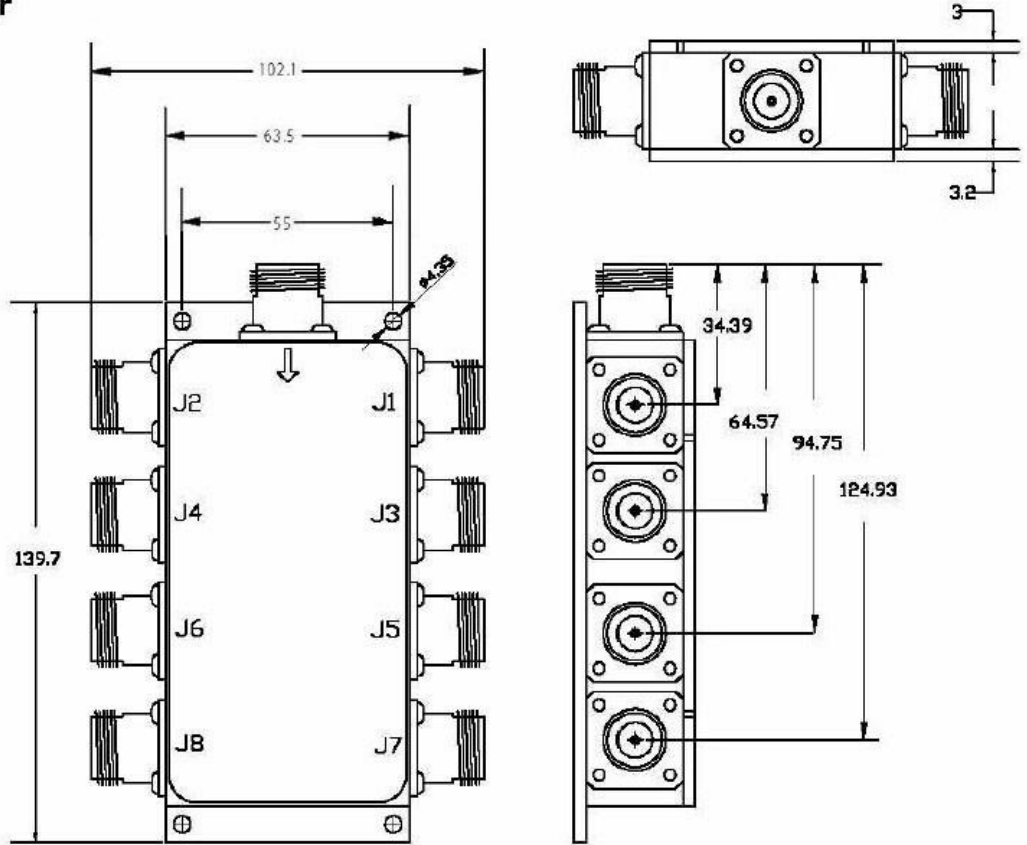
**JIETONG DIGITAL**  
GET CONNECTED

Telecommunication Technology & Engineering Accessories

Rev.V1.0

## Mechanical:

- ◇ Name:GPS/GNSS Splitter
- ◇ Mode:GT18
- ◇ Material:Aluminium
- ◇ Units:mm
- ◇ Tolerance:±0.05



## Frequency reference table:

Global/Compass Navigation Satellite Systems(GNSS/CNSS)	5					2				6/3			6			1																
Frequency (MHz)	1164	1176	1188	1192	1207	1215	1219	1227	1239	1245	1252	1259	1266	1268	1278	1290	1535	1540	1546	1550	1558	1558	1561	1563	1576	1587	1592	1602	1609	1616	2491	
GPS(USA) L1,L2,L2C,L5	L5+/-12					L2/L2C+/-12								L6+/-5								L1+/-12										
Glonass(Russia) G1,G2											G2+/-7																				G1+/-7	
Galileo(European) L1,E1,E2,E5(E5a,E5b),E6	E5+/-15		E5a+/-12 E5b+/-12									E6+/-12			L6+/-5			E2		L1+/-17			E1									
Compass (Beidou 2,China)			B2+/-10									B3+/-10										B1+/-2										
Beidou 1 (China,Tx(LHCP)/Rx(RHCP))																															L S	
IRNSS (India)	L5+/-15																													L1+/-12		S+/-15
OmniStar																		O+/-14-->														

